

RIRS H



AHU with heat recovery

Centrales de traitement d'air avec récupération de chaleur

Lüftungsgeräte mit wärmerückgewinnung

Вентиляционные агрегаты с рекуперацией тепла



Air handling units RIRS have high efficiency rotor heat exchanger. AHU is used for ventilation of houses and other heated areas.

- Rotor heat exchanger with efficiency up to 80%.
- Electrical or water heater.
- Efficient and low-noise fans.
- Controlled air flow.
- Supply air temperature control.
- External-rotor motors.
- Convertible inspection side for RIRS 400HE - 1500HE and 400HW - 1500HW.
- RIRS 400H - 1500H with integrated control and monitoring capabilities, using UNI, PRO and TPC remote control devices.
- Acoustic insulation of the walls – 50 mm.
- RIRS 400H - 1500H housing: powder coated painting RAL 7040.
- Low noise level.
- Easy mounting.



Rekuperator-Einrichtungen RIRS säubern, erwärmen und liefern frische Luft. RIRS-Einrichtungen nehmen Wärme aus der ausgestoßenen Luft auf und leiten sie in die gelieferte Luft weiter.

- Rotorwärmetauscher.
- Hoher Wärmerückgewinnungsgrad bis zu 80%.
- Elektrische oder Wasser-Erwärmungseinrichtung.
- Leistungsfähige und leise funktionierende Ventilatoren.
- Regelung des Luftstromes.
- Regelung der Temperatur der gelieferten Luft.
- Motoren mit Außenrotor.
- Wechselbare Bedienungsseite RIRS 400HE - 1500HE und 400HW - 1500HW.
- RIRS 400H - 1500H mit integrierten Steuerungs- und Überwachungsmöglichkeiten mithilfe von UNI, PRO und TPC Steuerpulten.
- Akustische Isolation der Wände - 50mm.
- RIRS 400H - 1500H das Gehäuse: gestrichen RAL 7040.
- Niedriges Geräuschniveau.
- Leicht montierbar.



Les centrale de traitement d'air avec récupération de chaleur RIRS filtrent, chauffent et fournissent de l'air frais. Les installations RIRS prennent la chaleur de l'air extrait et la transfère dans l'air neuf.








- Échangeur de chaleur rotatif.
- Rendement thermique élevée jusqu'à 80%.
- Batterie électrique ou à eau chaude.
- Ventilateurs efficaces et silencieux.
- Débit d'air réglable.
- Régulation de la température de l'air insufflé.
- Moteurs du rotor extérieur.
- Partie de l'entretien échangeable RIRS 400HE - 1500HE et 400HW - 1500HW.
- RIRS 400H - 1500H avec fonction de commande et de contrôle intégrée en utilisant les boîtiers de commande UNI, PRO et TPC.
- Isolation acoustique des parois de 50 mm.
- Enveloppe RIRS 400H - 1500H : peinte avec RAL 7040.
- Faible niveau de bruit.
- Montage facile.



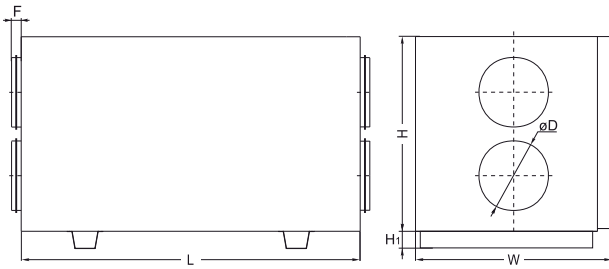
Установки с рекуперацией тепла RIRS очищают, нагревают и подают свежий воздух. RIRS устройства извлекают тепло из выходящего воздуха и передают его в поступающий.

- Роторный теплообменник.
- Высокоэффективная отдача тепла до 80%.
- Электрический или водяной нагреватель.
- Производительные и бесшумные вентиляторы.
- Регулируемый воздушный поток.
- Регулируемая температура подаваемого воздуха.
- Двигатели с наружными ротором.
- Возможность менять сторону обслуживания в RIRS 400HE - 1500HE и 400HW - 1500HW.
- RIRS 400H - 700H с интегрированными возможностями управления и наблюдения с помощью пультов управления UNI, PRO и TPC.
- Акустическая изоляция стенок - 50 мм.
- RIRS 400H - 1500H корпус: окрашенный RAL 7040.
- Низкий уровень шума.
- Легко монтируются.

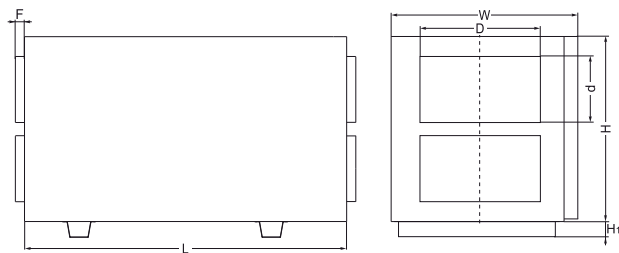
Accessories

Remote controller  UNI p. 154	Programmable controller  PRO p. 153	Programmable controller  TPC p. 152	Heating coil  AVS p. 166	Heating coil  SVS p. 172	Dampers for rectangular duct  SSK p. 196	Mounting clamp  AP p. 197
--	--	--	---	--	---	--

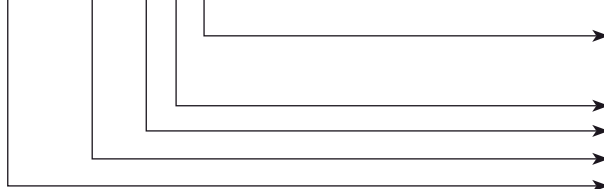
RIRS 400H - 3000H



RIRS 4000H



RIRS 2000 H E A



Version of fresh air in-feed direction (Models RIRS 2000H-4000H: A – From right, from above; B – From right, from below; C – From left, from above; D – From left, from below)
 Heater type (E - electrical; W - water)
 Housing type (H - horizontal)
 Air flow m³/h
 AHU with rotor heat-exchanger

Type	Dimensions [mm]					
	L	W	H	øD	F	H ₁
RIRS 400HE/HW	1000	553	580	160	30	40
RIRS 700HE/HW	1100	653	700	250	40	40
RIRS 1500HE/HW	1350	853	900	315	40	70
RIRS 2000HE/HW	1800	906	900	400	65	120
RIRS 3000HE/HW	2000	1205	1200	400	65	120

Type	Dimensions [mm]						
	L	W	H	D	d	F	H ₁
RIRS 4000HE/HW	2000	1205	1200	800	500	70	120

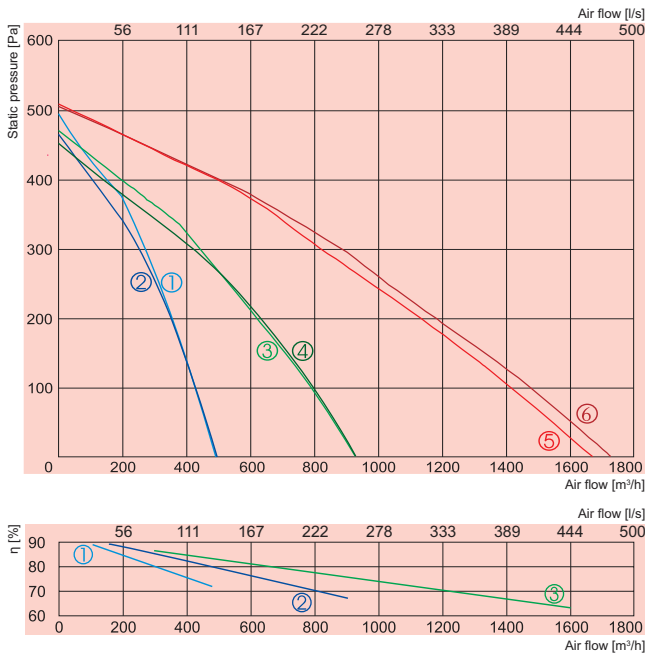
Type	Accessories											
	UNI PRO TPC	AVS	SVS SSK	AP SKG	PS	SP	TJK-10K CO4C***	SSB Heating	RMG 80/60°C	RMG 60/40°C	VVP/VXP 80/60°C	VVP/VXP 60/40°C
RIRS 400HE	+	-	-	160	+	*	-	-	-	-	-	-
RIRS 400HW	+	160	-	160	+	**	+	81	3-0,63-4	3-0,63-4	45.10-0,63	45.10-0,63
RIRS 700HE	+	-	-	250	+	*	-	-	-	-	-	-
RIRS 700HW	+	250	-	250	+	**	+	81	3-1,0-4	3-0,63-4	45.10-1,0	45.10-0,63
RIRS 1500HE	+	-	-	315	+	*	-	-	-	-	-	-
RIRS 1500HW	+	int	-	315	+	**	int	81	3-1,0-4	3-0,63-4	45.10-1,0	45.10-0,63
RIRS 2000HE	+	-	-	400	+	*	-	-	-	-	-	-
RIRS 2000HW	+	int	-	400	+	**	***	81	3-1,0-4	3-0,63-4	45.10-1,0	45.10-0,63
RIRS 3000HE	+	-	-	400	+	*	-	-	-	-	-	-
RIRS 3000HW	+	int	-	400	+	**	***	81	3-1,0-4	3-1,0-4	45.10-1,0	45.10-1,0
RIRS 4000HE	+	-	800-500	-	+	*	-	-	-	-	-	-
RIRS 4000HW	+	int	800-500	-	+	**	***	81	3-1,6-4	3-1,6-4	45.10-1,6	45.10-1,6

* - 227S - 230 - 05 for the fresh air dampers
 ** - 341 - 230 - 05
 *** - anti-frost thermostat delivered with automatic only RIRS 2000HW, 3000HW and 4000HW
 SSB81 - only with PRV control board (RIRS 2000HW, 3000HW and 4000HW)

Accessories

<p>Shuft-off damper</p>  <p>SKG p. 194</p>	<p>Differential pressure switch</p>  <p>PS p. 161</p>	<p>Actuator for dampers</p>  <p>SP p. 163</p>	<p>Duct sensor</p>  <p>TJK 10K p. 162</p>	<p>Thermic water valve actuator</p>  <p>SSB p. 158</p>	<p>Mixing point</p>  <p>RMG p. 159</p>	<p>2 and 3 - way valves</p>  <p>VVP/VXP p. 160</p>
---	--	--	--	---	---	---

RIRS H



- ① — supply **RIRS 400HE**
- ② — exhaust
- ③ — supply **RIRS 700HE**
- ④ — exhaust
- ⑤ — supply **RIRS 1500HE**
- ⑥ — exhaust

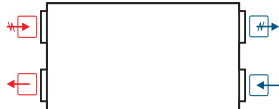
- ① — **RIRS 400HE**
- ② — **RIRS 700HE**
- ③ — **RIRS 1500HE**

		400HE	700HE	1500HE
Heater	-phase/voltage [50Hz/VAC]	~1, 230	~1, 230	~3, 400
	-power consumption [kW]	1,2	2,0	4,5
Fans	-phase/voltage [50Hz/VAC]	~1, 230	~1, 230	~1, 230
	exhaust -power/current [kW/A]	0,190/0,84	0,300/1,31	0,390/1,71
	-fan speed [min ⁻¹]	1850	2050	2750
supply	-power/current [kW/A]	0,190/0,84	0,300/1,31	0,390/1,71
	-fan speed [min ⁻¹]	1850	2050	2750
Motor protection class		IP-44	IP-44	IP-44
Thermal efficiency		75%	74%	74%
Max power consumption	[kW/A]	1,58/6,90	2,6/11,31	5,79/9,915
Automatic control		integrated	integrated	integrated
Filter class	-exhaust	F5	F5	F5
	-supply	F5	F5	F5
Thermal insulation	[mm]	50	50	50
Weight	[kg]	79,0	104,0	170,0

Air flow temperature range from -20°C to +40°C
 Designed for operation indoors only

Thermal efficiency of RIRS 400HE was measured at 400m³/h (indoor conditions +20°/60%; outdoor conditions -20°/90%)
 Thermal efficiency of RIRS 700HE was measured at 700m³/h (indoor conditions +20°/60%; outdoor conditions -20°/90%)
 Thermal efficiency of RIRS 1500HE was measured at 1500m³/h (indoor conditions +20°/60%; outdoor conditions -20°/90%)

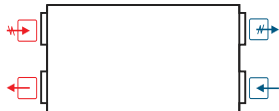
RIRS 400HE (convertible) ver.



RIRS 700HE (convertible) ver.



RIRS 1500HE (convertible) ver.



View from inspection side

Supply air		Lwa, dB(A)										
400HE	Lpa dB(A)	Lwa total dB(A)	Lwa, dB(A)									
			63 Hz	125 Hz	250 Hz	500 Hz	1 kHz	2 kHz	4 kHz	8 kHz	16 kHz	
Inlet	47	54	42	45	43	44	50	44	42	37	24	
Outlet at 1 m dist.	69	76	42	50	57	64	72	72	66	64	50	
Measured at 411 m³/h, 117 Pa												

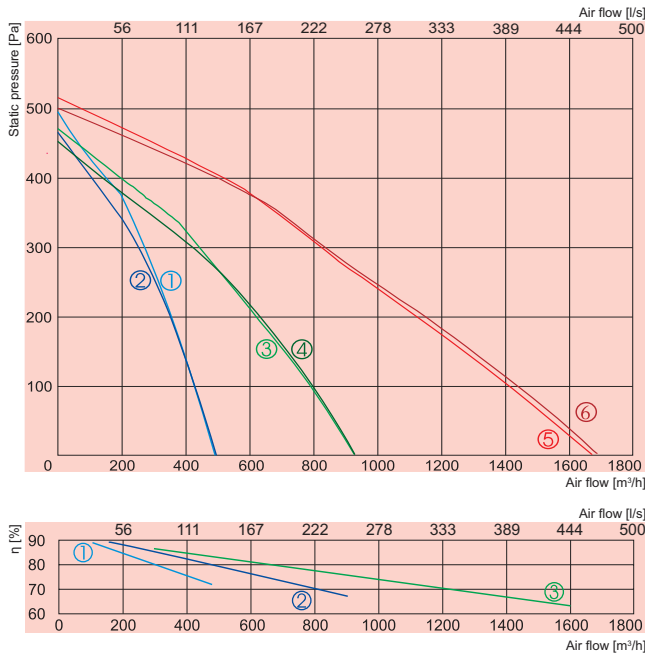
Exhaust air		Lwa, dB(A)										
400HE	Lpa dB(A)	Lwa total dB(A)	Lwa, dB(A)									
			63 Hz	125 Hz	250 Hz	500 Hz	1 kHz	2 kHz	4 kHz	8 kHz	16 kHz	
Inlet	45	52	41	44	38	44	46	47	42	36	23	
Outlet at 1 m dist.	69	76	42	51	56	61	72	71	65	62	48	
Measured at 375 m³/h, 126 Pa												

Supply air		Lwa, dB(A)										
700HE	Lpa dB(A)	Lwa total dB(A)	Lwa, dB(A)									
			63 Hz	125 Hz	250 Hz	500 Hz	1 kHz	2 kHz	4 kHz	8 kHz	16 kHz	
Inlet	52	59	49	52	52	53	49	49	47	40	27	
Outlet at 1 m dist.	69	76	47	56	63	70	69	71	68	62	50	
Measured at 675 m³/h, 173 Pa												

Exhaust air		Lwa, dB(A)										
700HE	Lpa dB(A)	Lwa total dB(A)	Lwa, dB(A)									
			63 Hz	125 Hz	250 Hz	500 Hz	1 kHz	2 kHz	4 kHz	8 kHz	16 kHz	
Inlet	51	58	47	52	49	52	49	51	47	40	28	
Outlet at 1 m dist.	69	76	47	56	63	70	69	71	69	63	50	
Measured at 701 m³/h, 152 Pa												

Exhaust air
 Extract air
 Fresh air
 Supply air

RIRS H



- ① — supply **RIRS 400HW**
- ② — exhaust
- ③ — supply **RIRS 700HW**
- ④ — exhaust
- ⑤ — supply **RIRS 1500HW**
- ⑥ — exhaust

- ① — **RIRS 400HW**
- ② — **RIRS 700HW**
- ③ — **RIRS 1500HW**

		400HW	700HW	1500HW
Water heater	-power [kW]			5,45
	-water T_{in}/T_{out} [°C]			80/60
	-water flow rate [l/s]	AVS 160	AVS 250	0,07
	-water pressure drop [kPa]			2,3
	-kvs value [m³/h]			1,7
Fans	-phase/voltage [50Hz/VAC]	~1, 230	~1, 230	~1, 230
exhaust	-power/current [kW/A]	0,190/0,84	0,300/1,31	0,390/1,71
	-fan speed [min ⁻¹]	1850	2050	2750
supply	-power/current [kW/A]	0,190/0,84	0,300/1,31	0,390/1,71
	-fan speed [min ⁻¹]	1850	2050	2750
Motor protection class		IP-44	IP-44	IP-44
Thermal efficiency		75%	74%	74%
Max power consumption	[kW/A]	0,38/1,68	0,6/2,62	0,78/3,42
Automatic control		integrated	integrated	integrated
Filter class	-exhaust	F5	F5	F5
	supply	F5	F5	F5
Thermal insulation	[mm]	50	50	50
Weight	[kg]	70,0	96,0	165,0

Air flow temperature range from -20°C to +40°C

Designed for operation indoors only

Thermal efficiency of RIRS 400HW was measured at 400m³/h (indoor conditions +20°/60%; outdoor conditions -20°/90%)

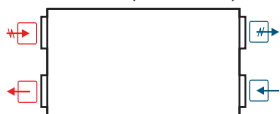
Thermal efficiency of RIRS 700HW was measured at 700m³/h (indoor conditions +20°/60%; outdoor conditions -20°/90%)

Thermal efficiency of RIRS 1500HW was measured at 1500m³/h (indoor conditions +20°/60%; outdoor conditions -20°/90%)

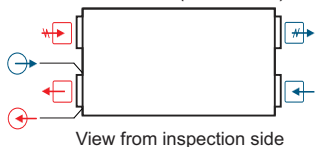
RIRS 400HW (convertible) ver.



RIRS 700HW (convertible) ver.



RIRS 1500HW (convertible) ver.



Supply air		Lwa, dB(A)										
400HW	Lpa dB(A)	Lwa total dB(A)	Lwa, dB(A)									
			63 Hz	125 Hz	250 Hz	500 Hz	1 kHz	2 kHz	4 kHz	8 kHz	16 kHz	
Inlet	47	54	42	45	43	44	50	44	42	37	24	
Outlet at 1 m dist.	69	76	42	50	57	64	72	72	66	64	50	

Measured at 411 m³/h, 117 Pa

Exhaust air		Lwa, dB(A)										
400HW	Lpa dB(A)	Lwa total dB(A)	Lwa, dB(A)									
			63 Hz	125 Hz	250 Hz	500 Hz	1 kHz	2 kHz	4 kHz	8 kHz	16 kHz	
Inlet	45	52	41	44	38	44	46	47	42	36	23	
Outlet at 1 m dist.	69	76	42	51	56	61	72	71	65	62	48	

Measured at 375 m³/h, 126 Pa

Supply air		Lwa, dB(A)										
700HW	Lpa dB(A)	Lwa total dB(A)	Lwa, dB(A)									
			63 Hz	125 Hz	250 Hz	500 Hz	1 kHz	2 kHz	4 kHz	8 kHz	16 kHz	
Inlet	52	59	49	52	52	53	49	49	47	40	27	
Outlet at 1 m dist.	69	76	47	56	63	70	69	71	68	62	50	

Measured at 675 m³/h, 173 Pa

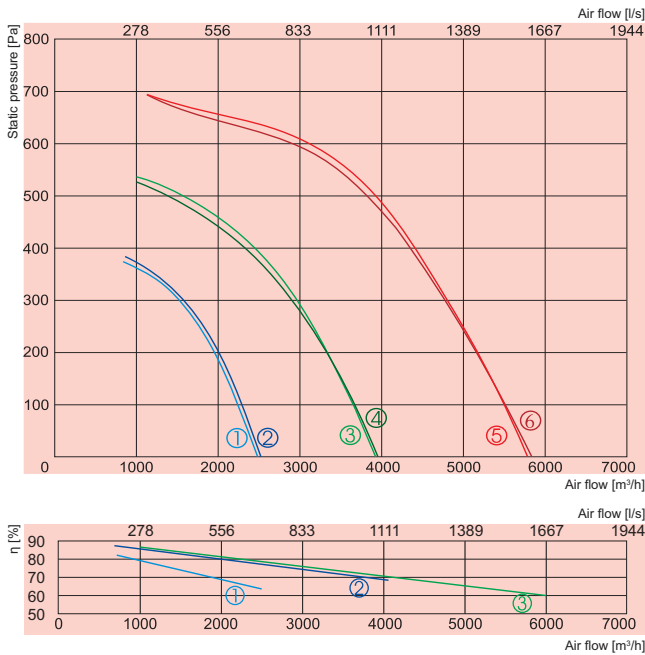
Exhaust air		Lwa, dB(A)										
700HW	Lpa dB(A)	Lwa total dB(A)	Lwa, dB(A)									
			63 Hz	125 Hz	250 Hz	500 Hz	1 kHz	2 kHz	4 kHz	8 kHz	16 kHz	
Inlet	51	58	47	52	49	52	49	51	47	40	28	
Outlet at 1 m dist.	69	76	47	56	63	70	69	71	69	63	50	

Measured at 701 m³/h, 152 Pa

- ↻ Used water outlet
- ↻ Water inlet
- ↻ Exhaust air
- ↻ Extract air
- ↻ Fresh air
- ↻ Supply air

The company reserves the right to make changes of technical data without prior notice

RIRS H



- ① — supply **RIRS 2000HE**
- ② — exhaust
- ③ — supply **RIRS 3000HE**
- ④ — exhaust
- ⑤ — supply **RIRS 4000HE**
- ⑥ — exhaust

- ① — **RIRS 2000HE**
- ② — **RIRS 3000HE**
- ③ — **RIRS 4000HE**

		2000HE	3000HE	4000HE
Heater	-phase/voltage [50Hz/VAC]	~3, 400	~3, 400	~3, 400
	-power consumption [kW]	9	15	18 (9+9)
Fans	-phase/voltage [50Hz/VAC]	~3, 400	~3, 400	~3, 400
exhaust	-power/current [kW/A]	0,948/1,99	1,76/3,01	3,2/5,4
	-fan speed [min ⁻¹]	1388	1320	1320
supply	-power/current [kW/A]	0,924/1,96	1,72/3,01	3,24/5,5
	-fan speed [min ⁻¹]	1393	1320	1320
Motor protection class		IP-54	IP-54	IP-54
Thermal efficiency		70%	77%	71%
Max power consumption	[kW/A]	10,87/16,94	18,48/27,67	24,44/36,88
Automatic control		optional	optional	optional
Filter class	-exhaust	F5	F5	F5
	-supply	F5	F5	F5
Thermal insulation	[mm]	50	50	50
Weight	[kg]	260,0	410,0	490,0

Air flow temperature range from -20°C to +40°C
 Designed for operation indoors only
 Thermal efficiency of RIRS 2000HE was measured at 2000m³/h (indoor conditions +20°/60%; outdoor conditions -20°/90%)
 Thermal efficiency of RIRS 3000HE was measured at 3000m³/h (indoor conditions +20°/60%; outdoor conditions -20°/90%)
 Thermal efficiency of RIRS 4000HE was measured at 4000m³/h (indoor conditions +20°/60%; outdoor conditions -20°/90%)

Supply air		Lwa, dB(A)									
2000HE		Lpa total dB(A)	63 Hz	125 Hz	250 Hz	500 Hz	1 kHz	2 kHz	4 kHz	8 kHz	16 kHz
Inlet	58	65	5	55	54	52	62	59	54	47	31
Outlet at 1 m dist.	75	82	50	60	68	75	78	76	75	68	55

Measured at 1891 m³/h, 217 Pa

Exhaust air		Lwa, dB(A)									
2000HE		Lpa total dB(A)	63 Hz	125 Hz	250 Hz	500 Hz	1 kHz	2 kHz	4 kHz	8 kHz	16 kHz
Inlet	60	67	50	55	56	56	62	61	56	49	33
Outlet at 1 m dist.	77	84	50	61	70	76	79	77	76	69	56

Measured at 1937 m³/h, 216 Pa

Supply air		Lwa, dB(A)									
3000HE		Lpa total dB(A)	63 Hz	125 Hz	250 Hz	500 Hz	1 kHz	2 kHz	4 kHz	8 kHz	16 kHz
Inlet	60	67	51	53	50	54	64	62	58	50	36
Outlet at 1 m dist.	79	86	52	65	71	79	82	79	79	72	62

Measured at 2967 m³/h, 305 Pa

Exhaust air		Lwa, dB(A)									
3000HE		Lpa total dB(A)	63 Hz	125 Hz	250 Hz	500 Hz	1 kHz	2 kHz	4 kHz	8 kHz	16 kHz
Inlet	61	68	51	55	54	54	64	64	60	52	37
Outlet at 1 m dist.	80	87	52	66	73	80	82	80	79	73	62

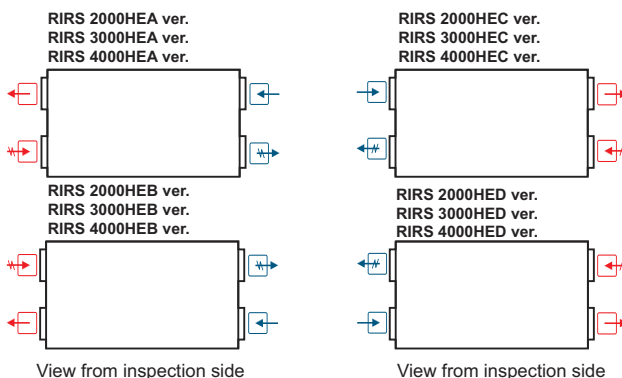
Measured at 3044 m³/h, 270 Pa

Supply air		Lwa, dB(A)									
4000HE		Lpa total dB(A)	63 Hz	125 Hz	250 Hz	500 Hz	1 kHz	2 kHz	4 kHz	8 kHz	16 kHz
Inlet	71	78	53	61	61	64	75	73	67	60	47
Outlet at 1 m dist.	88	95	53	68	77	83	91	89	87	81	71

Measured at 4801 m³/h, 291 Pa

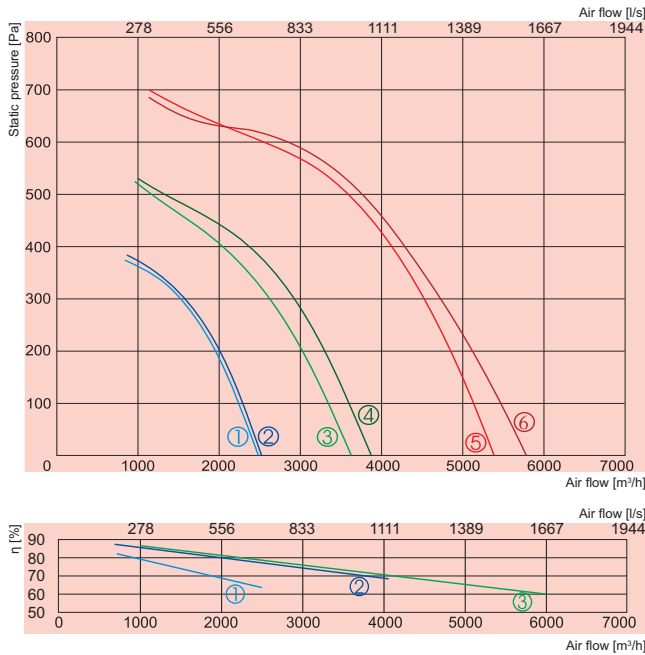
Exhaust air		Lwa, dB(A)									
4000HE		Lpa total dB(A)	63 Hz	125 Hz	250 Hz	500 Hz	1 kHz	2 kHz	4 kHz	8 kHz	16 kHz
Inlet	72	79	55	61	61	65	75	74	68	61	48
Outlet at 1 m dist.	87	94	54	69	77	83	90	89	87	80	70

Measured at 4707 m³/h, 316 Pa



➡ Exhaust air ➡ Extract air ➡ Fresh air ➡ Supply air

RIRS H



- ① — supply **RIRS 2000HW**
- ② — exhaust
- ③ — supply **RIRS 3000HW**
- ④ — exhaust
- ⑤ — supply **RIRS 4000HW**
- ⑥ — exhaust

- ① — **RIRS 2000HW**
- ② — **RIRS 3000HW**
- ③ — **RIRS 4000HW**

			2000HW	3000HW	4000HW
Water heater	-power	[kW]	9,5	11,21	16,29
	-water temp. T_{in}/T_{out}	[°C]	80/60	80/60	80/60
	-water flow rate	[l/s]	0,12	0,14	0,20
	-kvs value	[m³/h]	2,1	1,9	2,1
	-water pressure drop	[kPa]	4,5	7,5	11,85
Fans	-phase/voltage	[50Hz/VAC]	~3, 400	~3, 400	~3, 400
exhaust	-power/current	[kW/A]	0,948/1,99	1,76/3,01	3,2/5,4
	-fan speed	[min ⁻¹]	1388	1320	1320
supply	-power/current	[kW/A]	0,924/1,96	1,72/3,01	3,24/5,5
	-fan speed	[min ⁻¹]	1393	1320	1320
Motor protection class			IP-54	IP-54	IP-54
Thermal efficiency			70%	77%	71%
Max power consumption		[kW/A]	1,87/3,95	3,48/6,02	6,44/10,93
Automatic control			optional	optional	optional
Filter class	-exhaust		F5	F5	F5
	supply		F5	F5	F5
Thermal insulation		[mm]	50	50	50
Weight		[kg]	260	410	490

Air flow temperature range from -20°C to +40°C

Designed for operation indoors only

Thermal efficiency of RIRS 2000HW was measured at 2000m³/h (indoor conditions +20°/60%; outdoor conditions -20°/90%)

Thermal efficiency of RIRS 3000HW was measured at 3000m³/h (indoor conditions +20°/60%; outdoor conditions -20°/90%)

Thermal efficiency of RIRS 4000HW was measured at 4000m³/h (indoor conditions +20°/60%; outdoor conditions -20°/90%)

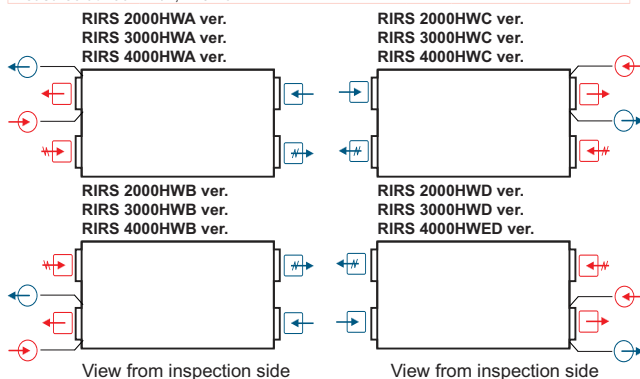
Supply air		Lwa, dB(A)										
2000HW		Lpa dB(A)	Lwa total dB(A)	63 Hz	125 Hz	250 Hz	500 Hz	1 kHz	2 kHz	4 kHz	8 kHz	16 kHz
Inlet		58	65	5	55	54	52	62	59	54	47	31
Outlet at 1 m dist.		75	82	50	60	68	75	78	76	75	68	55
Measured at 1891 m³/h, 217 Pa												
Exhaust air		Lwa, dB(A)										
2000HW		Lpa dB(A)	Lwa total dB(A)	63 Hz	125 Hz	250 Hz	500 Hz	1 kHz	2 kHz	4 kHz	8 kHz	16 kHz
Inlet		60	67	50	55	56	62	61	56	49	33	
Outlet at 1 m dist.		77	84	50	61	70	76	79	77	76	69	56
Measured at 1937 m³/h, 216 Pa												

Supply air		Lwa, dB(A)										
3000HW		Lpa dB(A)	Lwa total dB(A)	63 Hz	125 Hz	250 Hz	500 Hz	1 kHz	2 kHz	4 kHz	8 kHz	16 kHz
Inlet		59	66	53	52	50	54	62	61	56	47	30
Outlet at 1 m dist.		79	86	54	65	72	79	82	79	79	73	61
Measured at 2893 m³/h, 244 Pa												

Exhaust air		Lwa, dB(A)										
3000HW		Lpa dB(A)	Lwa total dB(A)	63 Hz	125 Hz	250 Hz	500 Hz	1 kHz	2 kHz	4 kHz	8 kHz	16 kHz
Inlet		63	70	53	55	52	55	66	65	61	53	38
Outlet at 1 m dist.		81	88	55	66	73	81	83	81	81	74	63
Measured at 3284 m³/h, 203 Pa												

Supply air		Lwa, dB(A)										
4000HW		Lpa dB(A)	Lwa total dB(A)	63 Hz	125 Hz	250 Hz	500 Hz	1 kHz	2 kHz	4 kHz	8 kHz	16 kHz
Inlet		70	77	58	62	61	63	73	73	67	59	44
Outlet at 1 m dist.		88	95	58	71	79	83	90	89	88	81	71
Measured at 4320 m³/h, 342 Pa												

Exhaust air		Lwa, dB(A)										
4000HW		Lpa dB(A)	Lwa total dB(A)	63 Hz	125 Hz	250 Hz	500 Hz	1 kHz	2 kHz	4 kHz	8 kHz	16 kHz
Inlet		72	79	55	61	61	65	75	74	68	62	49
Outlet at 1 m dist.		87	94	54	69	77	83	90	89	87	80	70
Measured at 4720 m³/h, 305 Pa												

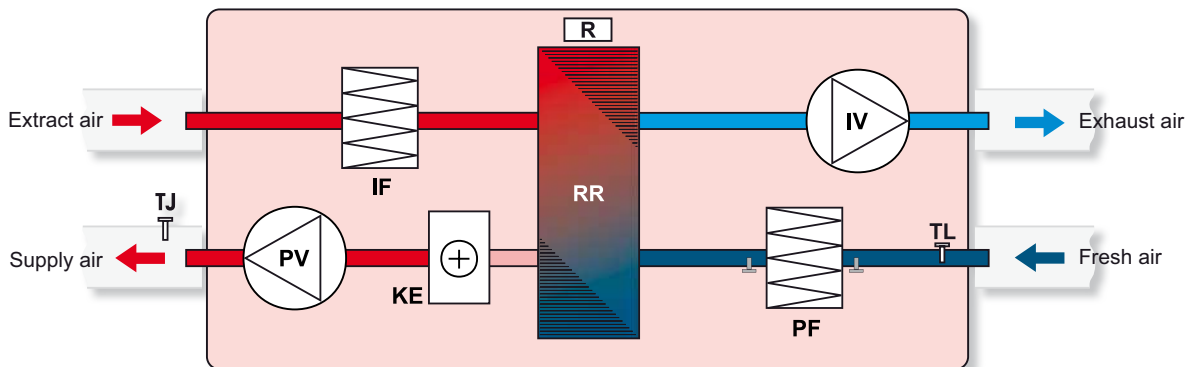


- Used water outlet
- ← Water inlet
- ↔ Exhaust air
- ↔ Extract air
- ↔ Fresh air
- ↔ Supply air

The company reserves the right to make changes of technical data without prior notice

RIRS H

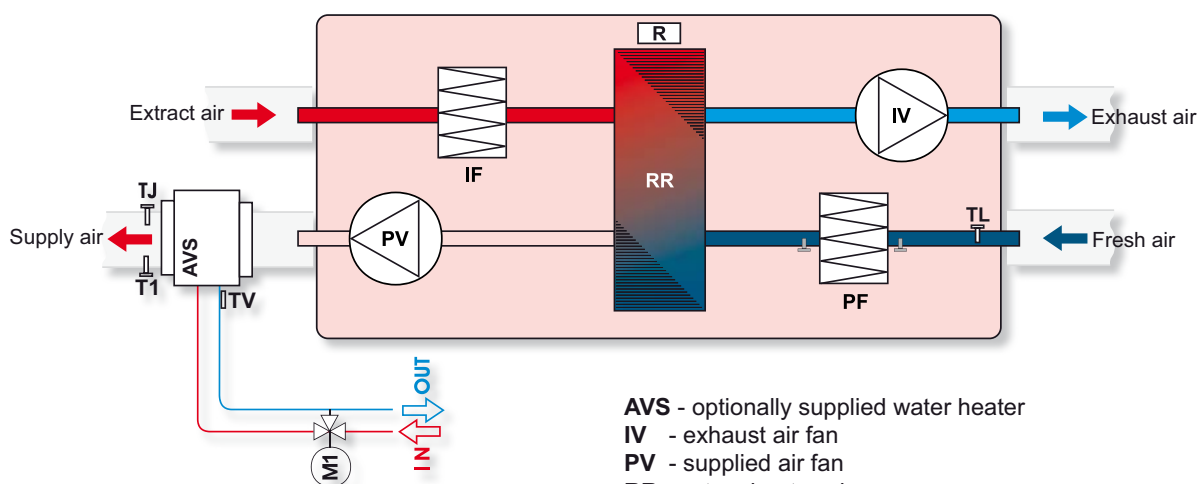
RIRS 400HE; 700HE; 1500HE (horizontal) versions with electrical heater *



- IV - exhaust air fan
- PV - supplied air fan
- RR - rotary heat exchanger
- R - rotor motor
- KE - electrical heater
- PF - fresh air filter (class F5)
- IF - extract air filter (class F5)
- TJ - temperature sensor for supply air *
- TL - temperature sensor for fresh air *

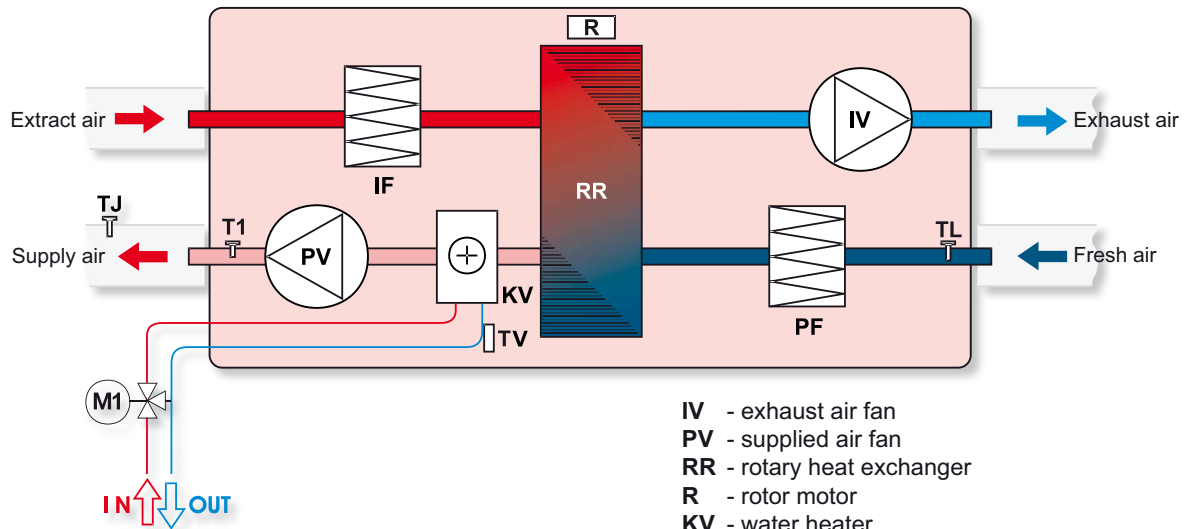
* - supplied with integrated automatic control (RIRS 400HE, RIRS 700HE, RIRS 1500HE). It is optional for other RIRS models.

RIRS 400HW; 700HW (horizontal) versions with water heater



- AVS - optionally supplied water heater
- IV - exhaust air fan
- PV - supplied air fan
- RR - rotary heat exchanger
- R - rotor motor
- PF - fresh air filter (class F5)
- IF - extract air filter (class F5)
- TJ - temperature sensor for supply air
- TL - temperature sensor for fresh air
- T1 - antifrost thermostat
- TV - antifrost sensor
- M1 - optionally supplied mixing valve and motor

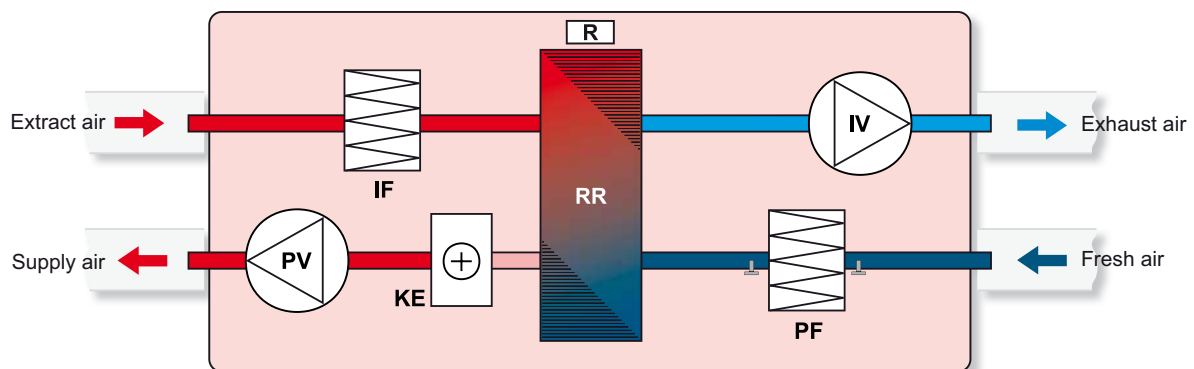
RIRS 1500HW (horizontal) versions with water heater *



- IV - exhaust air fan
- PV - supplied air fan
- RR - rotary heat exchanger
- R - rotor motor
- KV - water heater
- PF - fresh air filter (class F5)
- IF - extract air filter (class F5)
- TJ - temperature sensor for supply air *
- TL - temperature sensor for fresh air *
- T1 - antifrost thermostat *
- TV - antifrost sensor *
- M1 - optionally supplied mixing valve and motor

* - supplied with integrated automatic control (RIRS 1500HW). It is optional for other RIRS models.

RIRS 2000HE; 3000HE; 4000HE (horizontal) versions with electrical heater



- IV - exhaust air fan
- PV - supplied air fan
- RR - rotary heat exchanger
- R - rotor motor
- KE - electrical heater
- PF - fresh air filter (class F5)
- IF - extract air filter (class F5)

RIRS H

RIRS 2000HW; 3000HW; 4000HW (horizontal) versions with water heater

